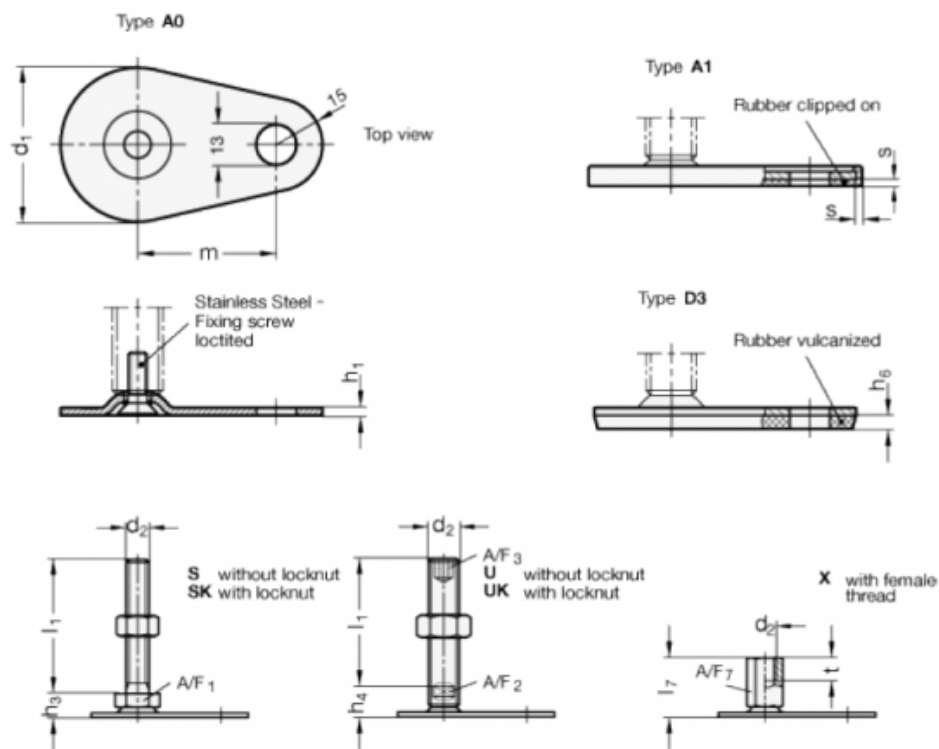


Article number: 204260M16125A0U

Description: E+G levelling foot  
GN 42-60-M16-125-A0-U

Note: U Without nut, Hexagon socket at the top, Wrench flat at the bottom

## Measures



A/F2 = 12	m = 50
A/F3 = 8	s =
d1 = 60	
d2 = M16	
h1 = 2.5	
h4 = 17	
h6 =	
l1 = 125	